

Model AV-1-300 Alarm Check Valve, 300 psi (20,7 bar) 2-1/2, 4, 6, & 8 Inch (DN65, DN100, DN150 & DN200) Vertical or Horizontal* Installation

General Description

The Model AV-1-300 Alarm Check Valves are divided seat ring, rubber faced clapper, waterflow alarm check valves that are intended for use in wet pipe (automatic sprinkler) fire protection systems. They may be installed vertically or horizontally*, and they are designed to automatically actuate electric and/or hydraulic alarms when there is a steady flow of water into the system that is equivalent to the discharge rate of one or more sprinklers.

A separately ordered, Model RC-1 Retard Chamber (TFP920) is required for installations subject to variable pressures. It is used to help prevent false alarms associated with pressure variations in public water supplies.

The AV-1-300 Alarm Check Valve Trim includes pressure gauges to monitor system pressure conditions, a by-pass check valve, a main drain valve, and an alarm test valve. The bypass check valve reduces the possibility of false alarms by permitting slow as well as small transient increases in water supply pressure to be passed through to the system without opening the waterway clapper.

WARNING

The Model AV-1-300 Alarm Check Valves described herein must be installed and maintained in compliance with this document, as well as with the applicable standards of the National Fire Protection Association, in addition to the standards of any other authorities having jurisdiction. Failure to do so may impair the integrity of these devices.

The owner is responsible for maintaining their fire protection system and devices in proper operating condition. The installing contractor or manufacturer should be contacted relative to any questions.



Nominal Valve Size	● End Connection Available		
	Inlet x Outlet		
	Groove x Groove	Flange x Groove	Flange x Flange
2-1/2 Inch (DN65)	● 22 lbs. (10,0 Kg)	● 28 lbs. (12,7 Kg)	N/A
4 Inch (DN100)	● 45 lbs. (20,4 Kg)	● 51 lbs. (23,1 Kg)	● 62 lbs. (28,1 Kg)
6 Inch (DN150)	● 68 lbs. (30,9 Kg)	● 78 lbs. (35,4 Kg)	● 93 lbs. (42,2 Kg)
8 Inch (DN200)	● 129 lbs. (58,6 Kg)	● 148 lbs. (67,1 Kg)	● 167 lbs. (75,8 Kg)

* 4, 6, and 8 Inch (DN100, DN150, and DN200) Valve Sizes

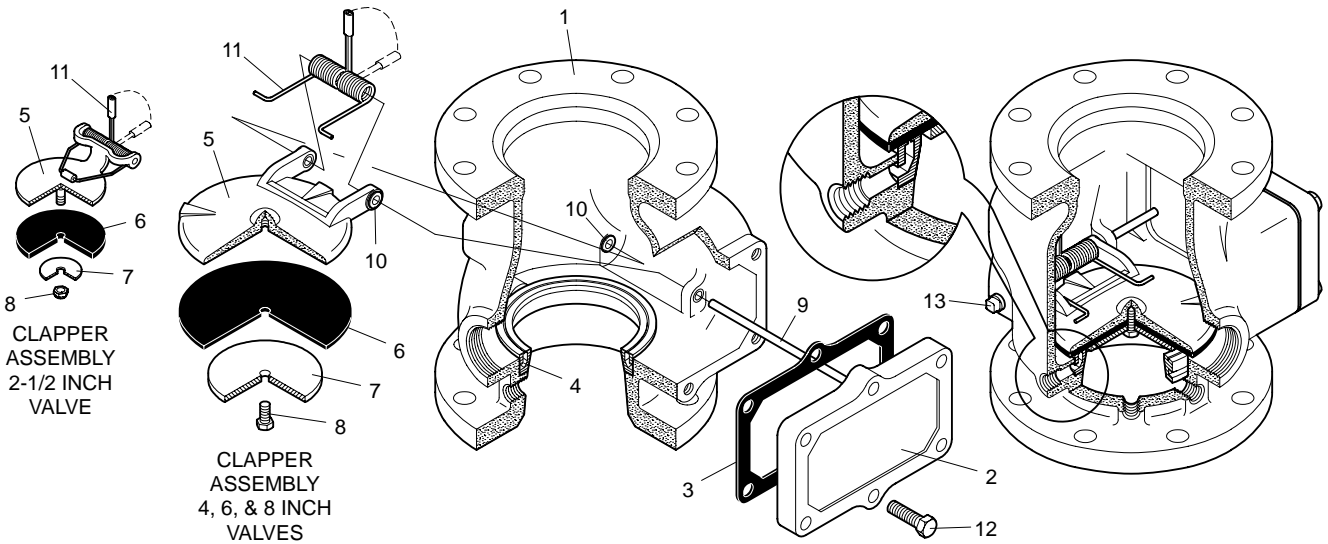
VALVE PARTS			
NO.	DESCRIPTION	QTY.	REF.
1	Valve Body	1	NR
2	Handhole Cover	1	NR
3	Handhole Cover Gasket	1	See (a)
4	Seat Ring	1	NR
5	Clapper	1	See (b)
6	Clapper Facing	1	See (a) or (b)
7	Clapper Washer	1	See (b)
8	2-1/2 Inch Valve: Lock Nut	1	See (b)
	4, 6, & 8 Inch Valves: Hex Self-Locking Cap Screw	1	See (b)
9	Clapper Hinge Pin	1	See (b)
10	Clapper Hinge Pin Bushing	2	NR
	2-1/2 Inch Valve	2	NR
	4, 6, & 8 Inch Valves	4	NR
11	Clapper Spring	1	See (b)

VALVE PARTS			
NO.	DESCRIPTION	QTY.	REF.
12	Handhole Cover Hex Bolt, 2-1/2 Inch Valves, 1/2-13 UNC-2A x 1-1/4" Long	4	CH
	4 Inch Valves, 1/2-13 UNC-2A x 1-3/4" Long	4	CH
	6 Inch Valves, 1/2-13 UNC-2A x 1-3/4" Long	6	CH
	8 Inch Valves, 3/4-10 UNC-2A x 2" Long	6	CH
13	4, 6, & 8 Inch Valves only: Clapper Hinge Pin Square Head Pipe Plug, 3/8" NPT	1	CH

REPLACEMENT PARTS	
NO.	DESCRIPTION P/N
(a)	Repair Parts Kit, Includes 3 & 6
	2-1/2 Inch Valve 92-200-1-216
	4 Inch Valve 92-200-1-416
	6 Inch Valve 92-200-1-620
	8 Inch Valve 92-200-1-816
(b)	Clapper Assembly, Includes 5-9, 11
	2-1/2 Inch Valve 92-200-1-218
	Includes 5-11
	4 Inch Valve 92-200-1-423
	6 Inch Valve 92-200-1-623
	8 Inch Valve 92-200-1-823

NOTES:

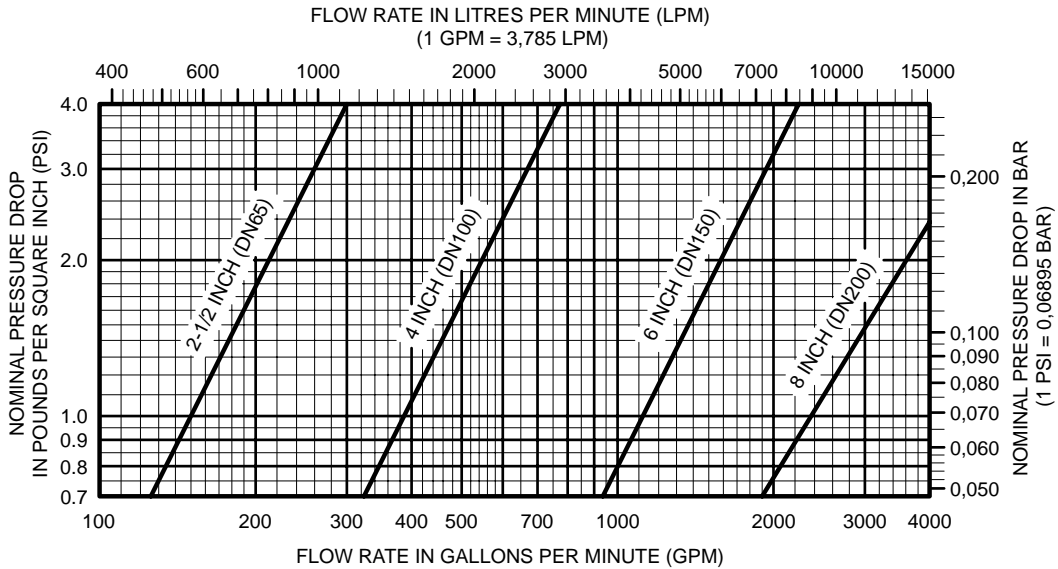
1. F x F valve shown for reference; components for G x G and F x G valves are shared.
2. NR: Not Replaceable
3. CH: Common Hardware



The 2-1/2 Inch (DN65) Valves with NPT threaded ports have a 1-1/4 inch main drain connection. The 2-1/2 Inch (DN65) Valves with ISO threaded ports have a DN40 main drain connection.

The 4, 6, and 8 Inch (DN100, DN150, and DN200) Valves with NPT threaded ports have a 2 inch main drain connection. The 4, 6, and 8 Inch (DN100, DN150, and DN200) Valves with ISO threaded ports have a DN50 inch main drain connection.

FIGURE 1
2-1/2, 4, 6 & 8 INCH (DN65, DN100, DN150 & DN200) MODEL AV-1-300 ALARM CHECK VALVE
— ASSEMBLY —

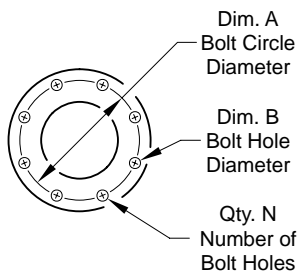


The approximate friction loss, based on the Hazen and Williams formula and expressed in equivalent length of pipe with C=120, is as follows:

- 14 feet of 2-1/2 inch Sch. 40 pipe for the 2-1/2 inch AV-1-300 Valve calculated on a typical flow rate of 250 GPM.
- 23 feet of 4 inch Sch. 40 pipe for the 4 inch AV-1-300 Valve calculated on a typical flow rate of 600 GPM.
- 24 feet of 6 inch Sch. 40 pipe for the 6 inch AV-1-300 Valve calculated on a typical flow rate of 1500 GPM.
- 23 feet of 8 inch Sch. 30 pipe for the 8 inch AV-1-300 Valve calculated on a typical flow rate of 2500 GPM.

GRAPH A
2-1/2, 4, 6 & 8 INCH (DN65, DN100, DN150 & DN200) MODEL AV-1-300 ALARM CHECK VALVE
— NOMINAL PRESSURE LOSS VERSUS FLOW —

Nominal Valve Size	Flange Drilling Specification															
	Nominal Dimensions in Inches and (mm)															
	ANSI B16.1 (Class 125) ¹			ISO 2084 (PN10) ²			ISO 2084 (PN16) ³			JIS B 2210 (10K)			AS 2129 (Table E)			
	Dim. A	Dim. B	Qty. N	Dim. A	Dim. B	Qty. N	Dim. A	Dim. B	Qty. N	Dim. A	Dim. B	Qty. N	Dim. A	Dim. B	Qty. N	
2-1/2 Inch (DN65)	5.50 (139,7)	0.75 (19,0)	4	USE ISO 2084 (PN16)	11.61 (295,0)	0.87 (22,0)	8	5.71 (145,0)	0.71 (18,0)	4	5.51 (140,0)	0.75 (19,0)	4	5.00 (127,0)	0.71 (18,0)	4
4 Inch (DN100)	7.50 (190,5)	0.75 (19,0)	8					7.09 (180,0)	0.71 (18,0)	8	6.89 (175,0)	0.75 (19,0)	8	7.00 (178,0)	0.71 (18,0)	8
6 Inch (DN150)	9.50 (241,3)	0.88 (22,2)	8					9.45 (240,0)	0.87 (22,0)	8	9.45 (240,0)	0.91 (23,0)	8	9.25 (235,0)	0.87 (22,0)	8
8 Inch (DN200)	11.75 (298,5)	0.88 (22,2)	8					11.61 (295,0)	0.87 (22,0)	8	11.61 (295,0)	0.87 (22,0)	12	11.42 (290,0)	0.91 (23,0)	12



¹ Same drilling as for B16.5 (Class 150) and B16.42 (Class 250).
² Same drilling as for BS 4504 Section 3.2 (PN10) and DIN 2532 (PN10).
³ Same drilling as for BS 4504 Section 3.2 (PN16) and DIN 2532 (PN16).

TABLE A
— FLANGE DRILLING SPECIFICATIONS —

Technical Data

Approvals:

UL and C-UL Listed, as well as FM Approved.

Working Water Pressure Range

20 to 300 psi (1,4 to 20,7 bar).

Friction Loss

Refer to Graph A.

Physical Characteristics

The body is ductile iron, the handhole cover is ductile iron or cast iron, and the seat ring is bronze. The clapper for the 2-1/2 inch (DN65) valve size is stainless steel. The clapper for the larger valve sizes is either cast or ductile iron. All valve sizes utilize an EPDM clapper facing.

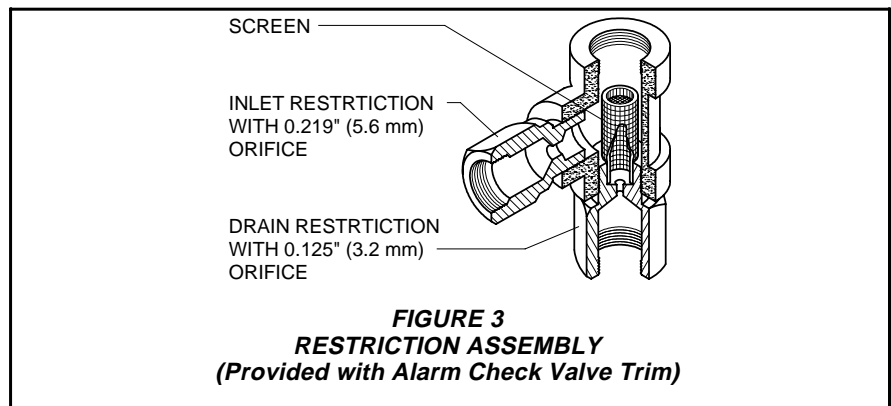
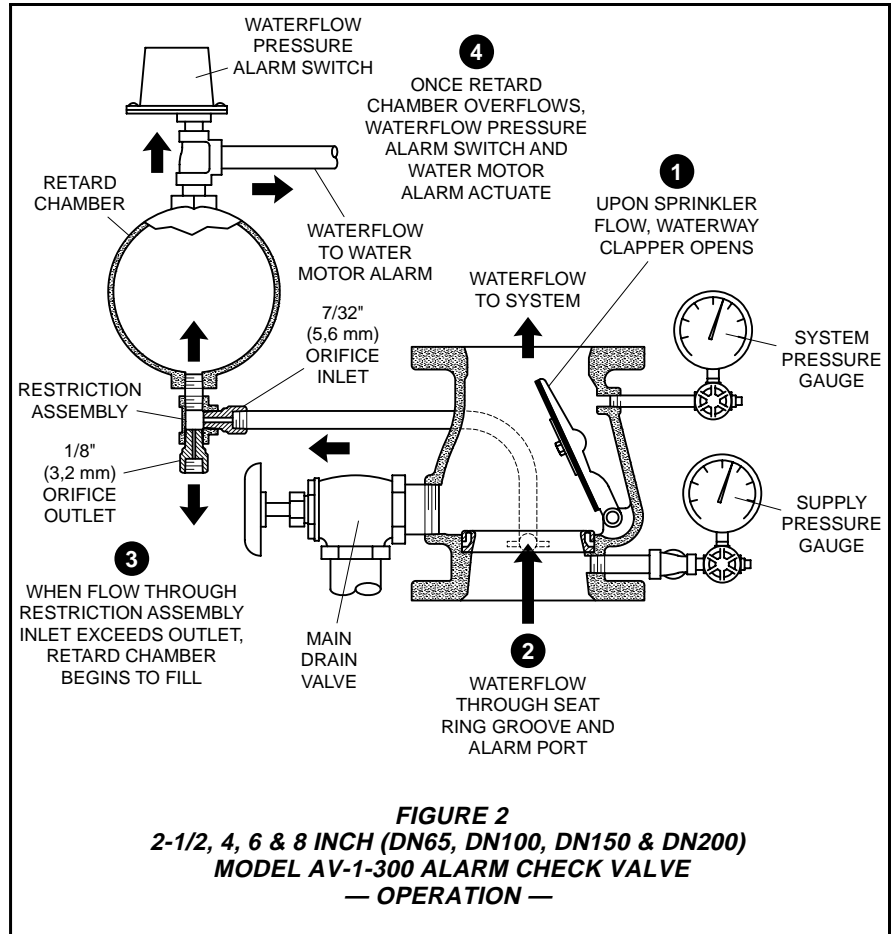
Flanged connections are available drilled per ANSI, ISO, AS, and JIS specifications as detailed in Table A.

Threaded port connections for the AV-1-300 Valves are available NPT threaded or threaded per ISO 7/1 as detailed in the Ordering Procedure section. Valves with NPT threaded ports will readily accept the trim arrangements detailed in Figures 4 through 6.

Operating Principles

When the fire protection system is initially being pressurized, water will flow into the system until the water supply and system pressure become equalized, and the torsion Spring closes the Clapper in the Alarm Check Valve. Once the pressures have stabilized, the Alarm Check Valve is in service and the centrally located groove in the Seat Ring is sealed. Consequently, with the Alarm Check Valve set for service, there is no flow through the alarm port to the alarm devices (i.e., water motor alarm and/or pressure alarm switch).

When there is a steady flow of water into the sprinkler system due to a sprinkler operation, the Clapper opens as shown in Figure 2. Water is then permitted to flow into the centrally located groove in the Seat Ring and out through the alarm port towards the Restriction Assembly (Figure 3). When the flow through the inlet restriction of the Restriction Assembly exceeds the flow through the outlet restriction, the Retard Chamber (where provided in the case of systems with variable pressure), begins to fill. Subsequently, the



water motor alarm and/or the pressure alarm switch will be actuated. The alarms will continue to be actuated as long as the Clapper remains opened. Water in the alarm lines will automatically drain out through the 1/8 inch (3,2 mm) drain orifice in the Restriction Assembly (Figure 3) when the Clapper closes (due to a discontinuation in the flow of water into the sprinkler system).

In the case of variable pressure systems, slow as well as small transient increases in water supply pressure may continue to be built up in the sys-

tem (via the bypass check valve) without opening the Clapper. A transient surge in supply pressure which is sufficient to only momentarily open the Clapper will not cause a false alarm, and a portion of the increase in pressure will be trapped within the system, thus reducing the possibility of another opening. Any water in the alarm line is automatically drained, further reducing the possibility of a false alarm due to a successive transient surge in supply pressure.

Design Criteria Installation

In planning the installation, consideration must be given to the disposal of the large quantities of water that may be associated with draining the system or performing a flow test.

Valves installed in the vertical position must have the flow going up. Valves installed in the horizontal position must be positioned so that the drain connection points down.

The sprinkler system designer must be aware that the configuration of the piping network and its tendency to trap pockets of air (such as in the case of a peaked-roof gridded system) can affect the performance of the alarm system. Although a slight amount of trapped air is desirable to prevent significant pressure increases due to thermally induced expansion of the water, a large quantity of trapped air in a system may result in the possibility of an intermittent alarm.

The possibility of an intermittent alarm condition is a consequence of the fact that the flow out of the system through the test valve or a single sprinkler is very small relative to the flow that can be passed through the valve. This difference increases with valve size. If the system were free of trapped air, flow in would equal flow out and the Clapper would always stabilize at some open position (as needed to accommodate the required flow). With trapped air in the system, however, the Clapper first opens wider since the system initially demands greater flow until the air pockets are compressed (back to nearly the supply pressure), and then it will tend to return closer to the Seat Ring. If the volume of the air pockets is excessive, flow into the system can be momentarily reduced to nearly zero (once the air pockets are compressed) and the Clapper may close, causing flow to the alarms to be shutoff.

Once the Clapper has closed, sufficient water must flow out of the system before the Clapper will again open. A repetition of the above described condition is termed an intermittent alarm.

Using a vent (which can also serve as an end-of-line Inspector's Test Connection) piped from the top of a cross main or end of a branch line at the point most remote from the alarm valve, and filling the system slowly in accordance with the steps described in the Setting Procedure section, can prevent an excessive amount of air from being trapped.

NOTES

Proper operation of the Model AV-1-300 Alarm Check Valves depends upon the trim described in this data sheet being installed in accordance with the following instructions. Failure to follow the appropriate trim installation instructions may prevent the device from functioning properly as well as void listings/approvals, and the manufacturer's warranties.

The Alarm Check Valves must be installed in readily visible and accessible locations.

It is recommended that provision be made for viewing the alarm line drain water by locating the main drain outlet in a readily visible area.

Wet pipe fire protection systems must be maintained at a minimum temperature of 40°F/4°C.

Step 1. Trim the Alarm Check Valve in accordance with Figure 4, 5, or 6, as applicable. Apply pipe thread sealant sparingly to male threads only.

Step 2. The Alarm Vent Trim illustrated in Figure 8 must be installed if a water motor alarm is not to be used.

Step 3. Plug unused alarm connections.

Step 4. Suitable provision must be made for disposal of alarm line and system drainage water. Drainage water must be directed so that it will not cause damage or result in dangerous conditions.

Step 5. The alarm line drain must be arranged so that there will be no danger of freezing.

Step 6. The check valve in the externally mounted bypass around the waterway Clapper must be installed with its arrow pointed up, and the drain check valve must be installed with its arrow pointing towards the drain.

Step 7. It is recommended that a vent connection (which may also be used as an end-of-line Inspector's Test Connection), be piped from a cross main or branch line at the point most remote from the alarm valve. The vent line should be connected to the top of a cross main or to the end of a branch line and be located at the highest level of a multi-level installation.

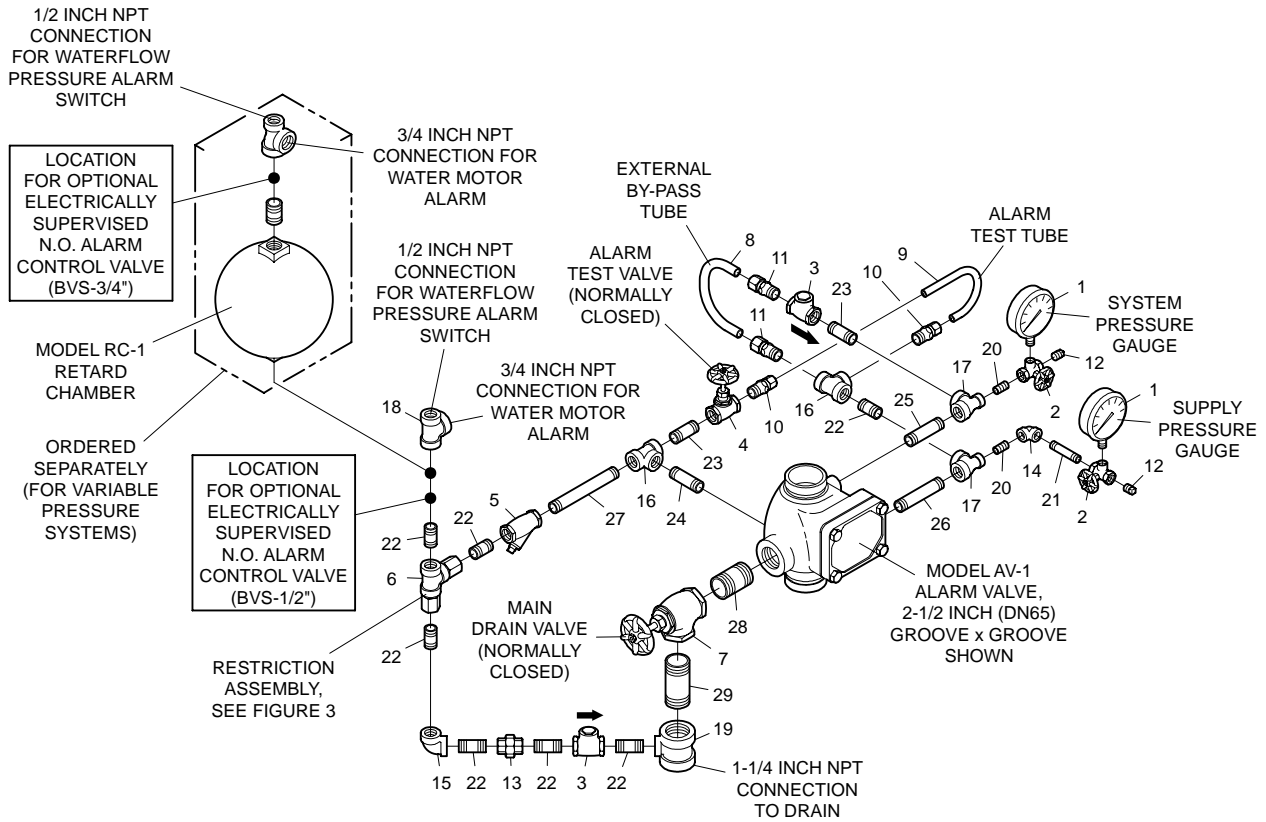
The vent connection can be used to bleedoff excessive air from the system, and therefore, minimize the possibility of a false alarm due to a transient surge in supply pressure. The contraction/expansion associated with an excessive amount of trapped air

could also cause the waterway Clapper to cycle open and shut during an inspector's test or during a discharge by a single sprinkler.

NO.	DESCRIPTION	QTY.	P/N
1	300 psi/ 2000 kPa Water Pressure Gauge . . . 2	2	92-343-1-005
2	1/4" Gauge Test Valve . . . 2	2	46-005-1-002
3	1/2" Swing Check Valve . . . 2	2	46-049-1-004
4	1/2" Globe Valve 1	1	46-047-1-004
5	1/2" Y-Strainer 1	1	52-353-1-005
6	Restriction Assembly 1	1	92-210-2-005
7	1-1/4" Angle Valve 1	1	46-048-1-007
8	External By-Pass Tube 1	1	92-304-1-017
9	Alarm Test Tube 1	1	92-304-1-047
10	1/2" NPT x 1/2" Tube Connector 2	2	92-304-1-015
11	1/2" NPT x 5/8" Tube Connector 2	2	92-304-1-013
12	1/4" Plug 2	2	CH
13	1/2" Union 1	1	CH
14	1/4" 90° Elbow 1	1	CH
15	1/2" 90° Elbow 1	1	CH
16	1/2" Tee 2	2	CH

NO.	DESCRIPTION	QTY.	P/N
17	1/2" x 1/4" x 1/2" Tee 2	2	CH
18	1/2" x 1/2" x 3/4" Tee 1	1	CH
19	1-1/4" x 1-1/4" x 1/2" Tee . . . 1	1	CH
20	1/4" x 1" Nipple 2	2	CH
21	1/4" x 2-1/2" Nipple 1	1	CH
22	1/2" x 1-1/2" Nipple 7	7	CH
23	1/2" x 2" Nipple 2	2	CH
24	1/2" x 2-1/2" Nipple 1	1	CH
25	1/2" x 3" Nipple 1	1	CH
26	1/2" x 4" Nipple 1	1	CH
27	1/2" x 6" Nipple 1	1	CH
28	1-1/4" x 2-1/2" Nipple 1	1	CH
29	1-1/4" x 3-1/2" Nipple 1	1	CH

- NOTES:
1. All Fittings and Nipples are galvanized (Standard Order).
 2. CH: Common Hardware.



**FIGURE 4 — PART 1 OF 3
 VERTICAL CLOSED DRAIN TRIM — STANDARD ORDER
 — FOR 2-1/2 INCH (DN65) MODEL AV-1-300 ALARM CHECK VALVES (52-204-2-050) —**

NO.	DESCRIPTION	QTY.	P/N
1	300 psi/ 2000 kPa		
	Water Pressure Gauge . . . 2	92-343-1-005	
2	1/4" Gauge Test Valve . . . 2	46-005-1-002	
3	1/2" Swing Check Valve . . . 2	46-049-1-004	
4	1/2" Globe Valve 1	46-047-1-004	
5	1/2" Y-Strainer 1	52-353-1-005	
6	Restriction Assembly 1	92-210-2-005	
7	2" Angle Valve 1	46-048-1-009	
8	1/4" Plug 2	CH	
9	1/2" x 1/4" Reducing		
	Bushing 1	CH	
10	1/2" Union 3	CH	
11	1/2" 90° Elbow 4	CH	
12	1/2" 45° Elbow 1	CH	
13	1/2" x 1/4" x 1/2" Tee 1	CH	
14	1/2" x 1/2" x 3/4" Tee 1	CH	
15	1/2" Tee 1	CH	
16	2" x 2" x 1/2" Tee 1	CH	
17	1/4" x Close Nipple 1	CH	
18	1/4" x 4" Nipple 1	CH	
19	1/2" x Close Nipple 4	CH	
20	1/2" x 1-1/2" Nipple 5	CH	
21	1/2" x 2" Nipple 2	CH	

NO.	DESCRIPTION	QTY.	P/N
22	1/2" x 3" Nipple 2	CH	
23	1/2" x 3-1/2" Nipple 1	CH	
24	1/2" x 5" Nipple 1	CH	
25	1/2" x 5-1/2" Nipple 1	CH	
26	1/2" x 6-1/2" Nipple 1	CH	
27	Select Nipple per Table . . . 2	CH	
28	Select Nipple per Table . . . 2	CH	
29	2" x 3" Nipple 2	CH	

Nipple Number	Select Appropriate Nipple Sizes per AV-1 Alarm Check Valve Size	
	4 Inch (DN100)	6 Inch (DN150)
27	1/2" x 1-1/2"	1/2" x 2-1/2"
28	1/2" x 3-1/2"	1/2" x 4-1/2"

- NOTES:
1. Install subassemblies in alphabetical order.
 2. All Fittings and Nipples are galvanized (Standard Order).
 3. CH: Common Hardware.

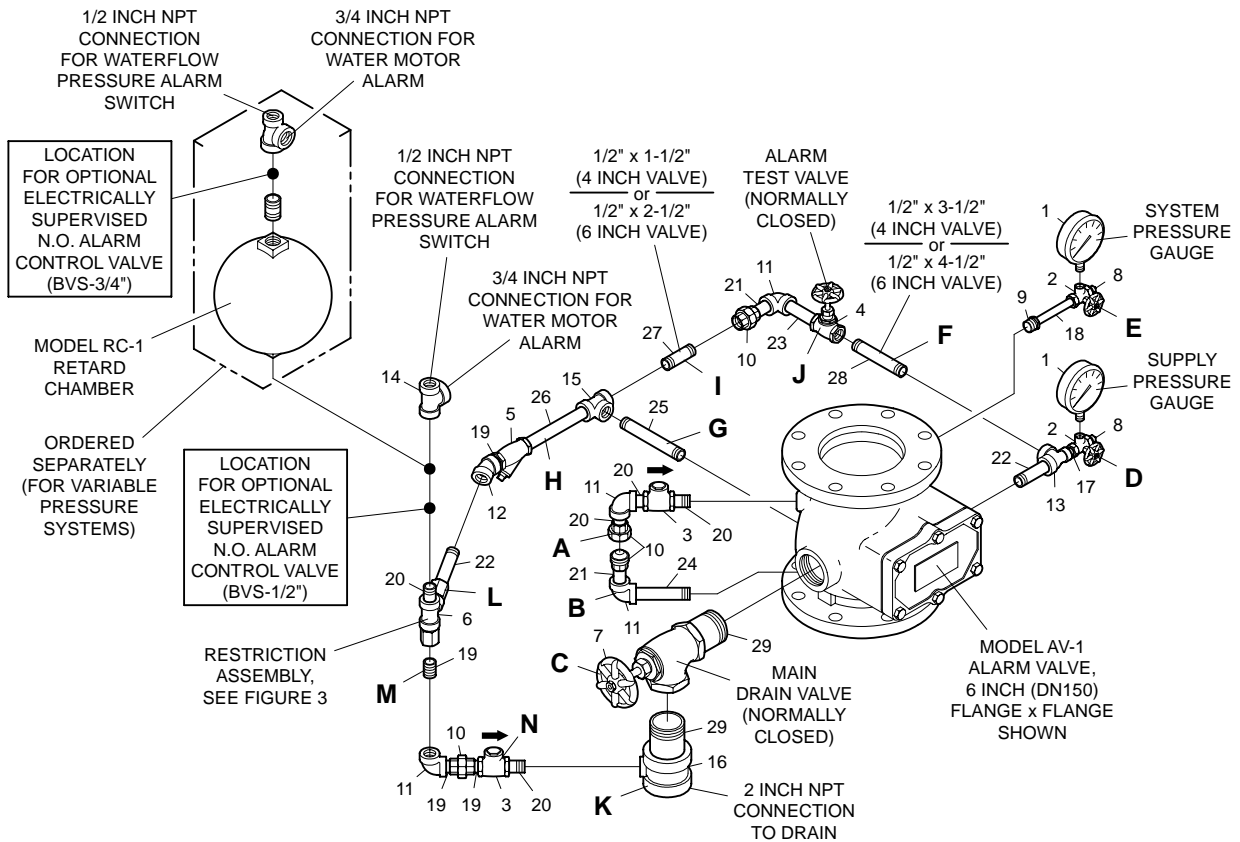
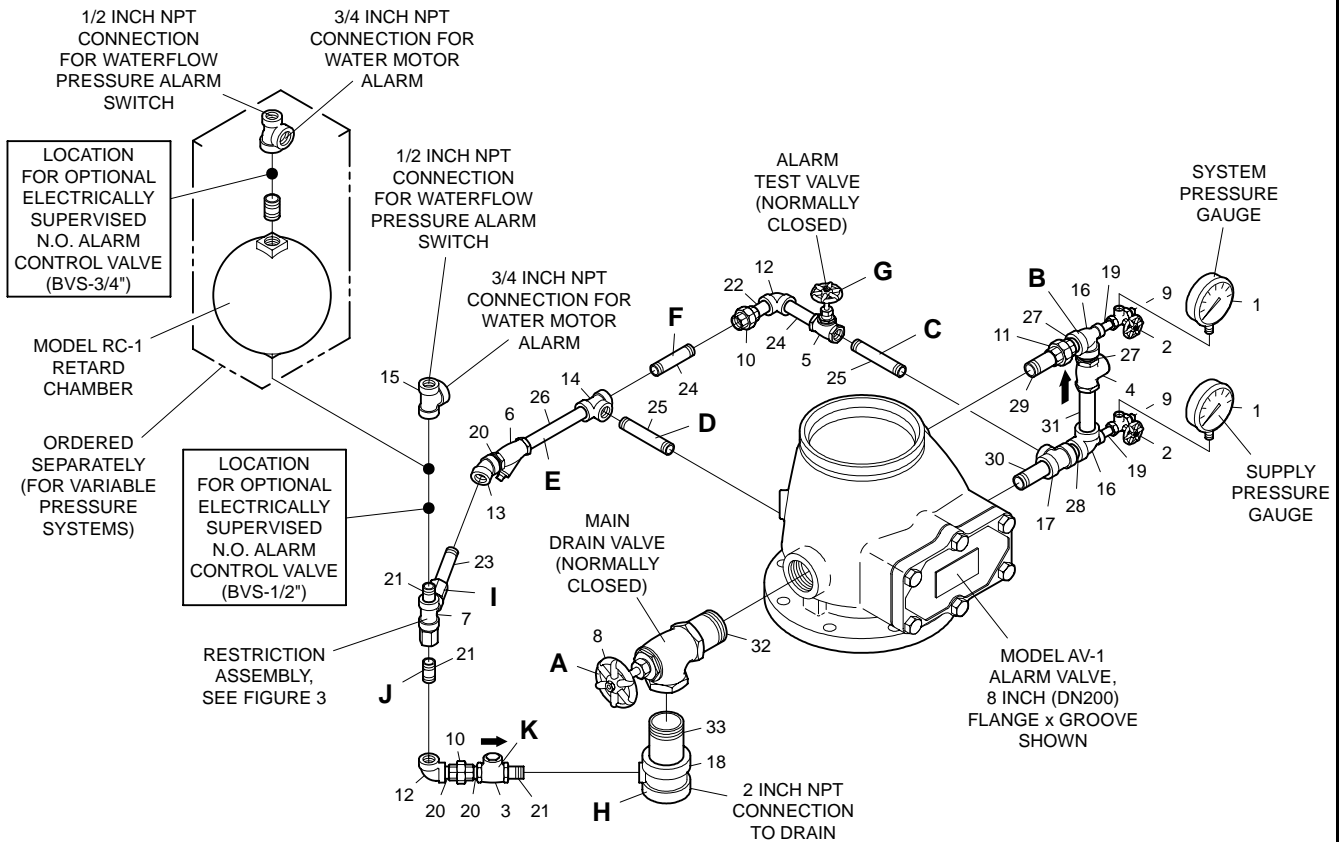


FIGURE 4 — PART 2 OF 3
VERTICAL CLOSED DRAIN TRIM — STANDARD ORDER — SEMI-PREASSEMBLED
— FOR 4 & 6 INCH (DN100 & DN150) MODEL AV-1-300 ALARM CHECK VALVES (52-204-2-951) —

NO.	DESCRIPTION	QTY.	P/N
1	300 psi/ 2000 kPa Water Pressure Gauge . . . 2	2	92-343-1-005
2	1/4" Gauge Test Valve . . . 2	2	46-005-1-002
3	1/2" Swing Check Valve . . 1	1	46-049-1-004
4	3/4" Swing Check Valve . . 1	1	46-049-1-005
5	1/2" Globe Valve 1	1	46-047-1-004
6	1/2" Y-Strainer 1	1	52-353-1-005
7	Restriction Assembly 1	1	92-210-2-005
8	2" Angle Valve 1	1	46-048-1-009
9	1/4" Plug 2	2	CH
10	1/2" Union 2	2	CH
11	3/4" Union 1	1	CH
12	1/2" 90° Elbow 2	2	CH
13	1/2" 45° Elbow 1	1	CH
14	1/2" Tee 1	1	CH
15	1/2" x 1/2" x 3/4" Tee 1	1	CH
16	3/4" x 1/4" x 3/4" Tee 2	2	CH
17	3/4" x 3/4" x 1/2" Tee 1	1	CH
18	2" x 2" x 1/2" Tee 1	1	CH
19	1/4" x 1-1/2" Nipple 2	2	CH
20	1/2" x Close Nipple 3	3	CH
21	1/2" x 1-1/2" Nipple 3	3	CH

NO.	DESCRIPTION	QTY.	P/N
22	1/2" x 2" Nipple 1	1	CH
23	1/2" x 3" Nipple 1	1	CH
24	1/2" x 3-1/2" Nipple 2	2	CH
25	1/2" x 4-1/2" Nipple 2	2	CH
26	1/2" x 6-1/2" Nipple 1	1	CH
27	3/4" x Close Nipple 2	2	CH
28	3/4" x 1-1/2" Nipple 1	1	CH
29	3/4" x 2-1/2" Nipple 1	1	CH
30	3/4" x 3" Nipple 1	1	CH
31	3/4" x 4-1/2" Nipple 1	1	CH
32	2" x 3" Nipple 1	1	CH
33	2" x 3-1/2" Nipple 1	1	CH

- NOTES:
1. Install subassemblies in alphabetical order.
 2. All Fittings and Nipples are galvanized (Standard Order).
 3. CH: Common Hardware.

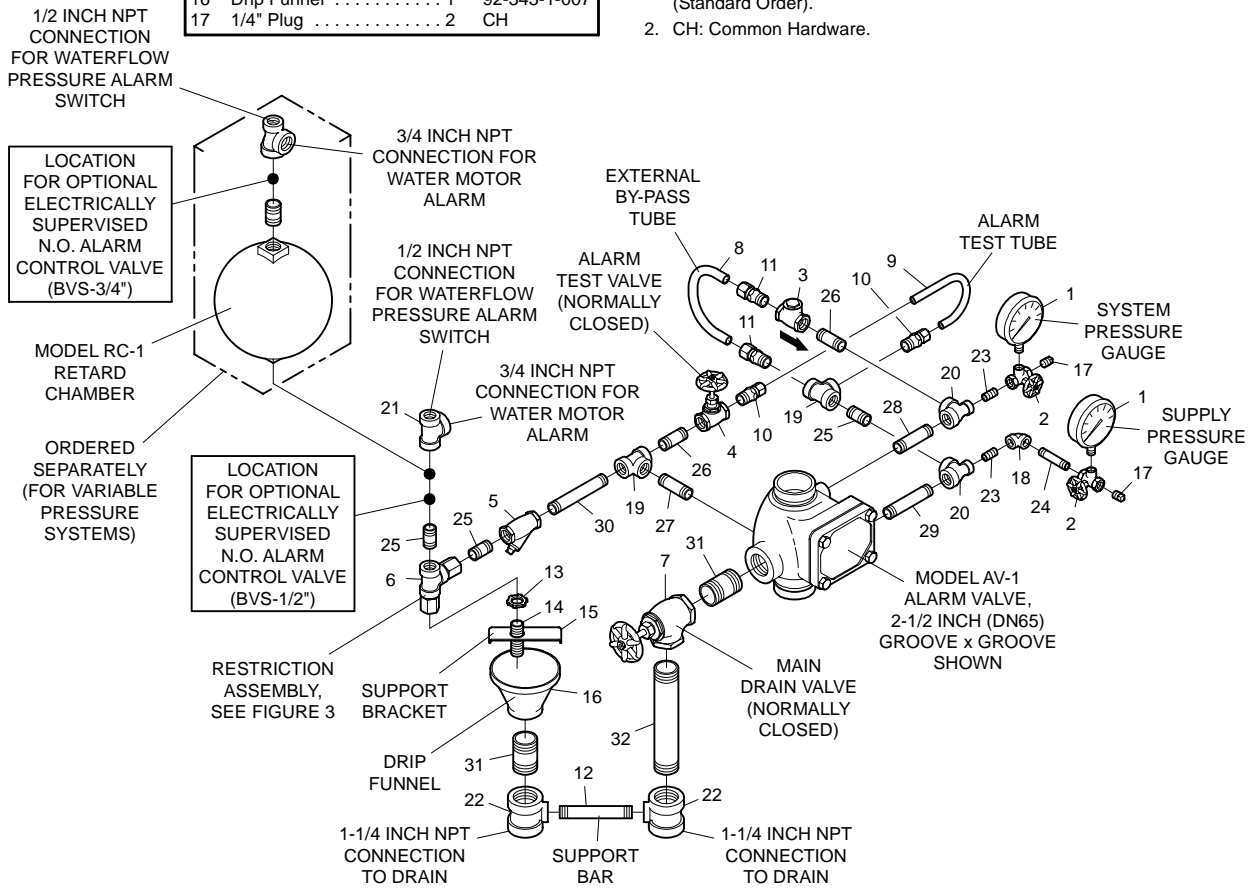


**FIGURE 4 — PART 3 OF 3
VERTICAL CLOSED DRAIN TRIM — STANDARD ORDER — SEMI-PREASSEMBLED
— FOR 8 INCH (DN200) MODEL AV-1-300 ALARM CHECK VALVES (52-204-2-952) —**

NO.	DESCRIPTION	QTY.	P/N
1	300 psi/ 2000 kPa		
2	Water Pressure Gauge	2	92-343-1-005
3	1/4" Gauge Test Valve	2	46-005-1-002
4	1/2" Swing Check Valve	1	46-049-1-004
5	1/2" Globe Valve	1	46-047-1-004
6	1/2" Y-Strainer	1	52-353-1-005
7	Restriction Assembly	1	92-210-2-005
8	1-1/4" Angle Valve	1	46-048-1-007
9	External By-Pass Tube	1	92-304-1-017
10	Alarm Test Tube	1	92-304-1-047
11	1/2" NPT x 1/2" Tube Connector	2	92-304-1-015
12	1/2" NPT x 5/8" Tube Connector	2	92-304-1-013
13	Support Bar	1	92-304-1-014
14	Jam Nut	1	92-640-1-037
15	PVC Nipple	1	92-640-1-009
16	Support Bracket	1	92-343-1-006
17	Drip Funnel	1	92-343-1-007
18	1/4" Plug	2	CH

NO.	DESCRIPTION	QTY.	P/N
18	1/4" 90° Elbow	1	CH
19	1/2" Tee	2	CH
20	1/2" x 1/4" x 1/2" Tee	2	CH
21	1/2" x 1/2" x 3/4" Tee	1	CH
22	1-1/4" x 1-1/4" x 1/2" Tee	2	CH
23	1/4" x 1" Nipple	2	CH
24	1/4" x 2-1/2" Nipple	1	CH
25	1/2" x 1-1/2" Nipple	3	CH
26	1/2" x 2" Nipple	2	CH
27	1/2" x 2-1/2" Nipple	1	CH
28	1/2" x 3" Nipple	1	CH
29	1/2" x 4" Nipple	1	CH
30	1/2" x 5" Nipple	1	CH
31	1-1/4" x 2-1/2" Nipple	2	CH
32	1-1/4" x 8-1/2" Nipple	1	CH

- NOTES:
1. All Fittings and Nipples are galvanized (Standard Order).
 2. CH: Common Hardware.



**FIGURE 5 — PART 1 OF 3
 VERTICAL OPEN DRAIN TRIM — SPECIAL ORDER
 — FOR 2-1/2 INCH (DN65) MODEL AV-1-300 ALARM CHECK VALVES (52-204-2-053) —**

NO.	DESCRIPTION	QTY.	P/N
1	300 psi/ 2000 kPa		
2	Water Pressure Gauge . . . 2	92-343-1-005	
3	1/4" Gauge Test Valve . . . 2	46-005-1-002	
4	1/2" Swing Check Valve . . . 1	46-049-1-004	
5	1/2" Globe Valve 1	46-047-1-004	
6	1/2" Y-Strainer 1	52-353-1-005	
7	Restriction Assembly 1	92-210-2-005	
8	2" Angle Valve 1	46-048-1-009	
9	Drip Funnel Connector 1	92-211-1-005	
10	Drip Funnel Bracket 1	92-211-1-003	
11	Drip Funnel 1	92-343-1-007	
12	1/4" Plug 2	CH	
13	1/2" x 1/4" Reducing Bushing 1	CH	
14	1/2" Union 2	CH	
15	1/2" 90° Elbow 3	CH	
16	1/2" 45° Elbow 1	CH	
17	1/2" x 1/4" x 1/2" Tee 1	CH	
18	1/2" x 1/2" x 3/4" Tee 1	CH	
19	1/2" Tee 2	CH	
20	1/4" x Close Nipple 1	CH	
21	1/4" x 4" Nipple 1	CH	
22	1/2" x Close Nipple 3	CH	

NO.	DESCRIPTION	QTY.	P/N
22	1/2" x 1-1/2" Nipple 4	CH	
23	1/2" x 2" Nipple 2	CH	
24	1/2" x 3" Nipple 1	CH	
25	1/2" x 3-1/2" Nipple 1	CH	
26	1/2" x 5" Nipple 1	CH	
27	1/2" x 5-1/2" Nipple 1	CH	
28	1/2" x 6-1/2" Nipple 1	CH	
29	Select Nipple per Table . . . 2	CH	
30	Select Nipple per Table . . . 2	CH	
31	2" x 3" Nipple 1	CH	

Nipple Number	Select Appropriate Nipple Sizes per AV-1 Alarm Check Valve Size	
	4 Inch (DN100)	6 Inch (DN150)
29	1/2" x 1-1/2"	1/2" x 2-1/2"
30	1/2" x 3-1/2"	1/2" x 4-1/2"

- NOTES:
1. Install subassemblies in alphabetical order.
 2. All Fittings and Nipples are galvanized (Standard Order).
 3. CH: Common Hardware.

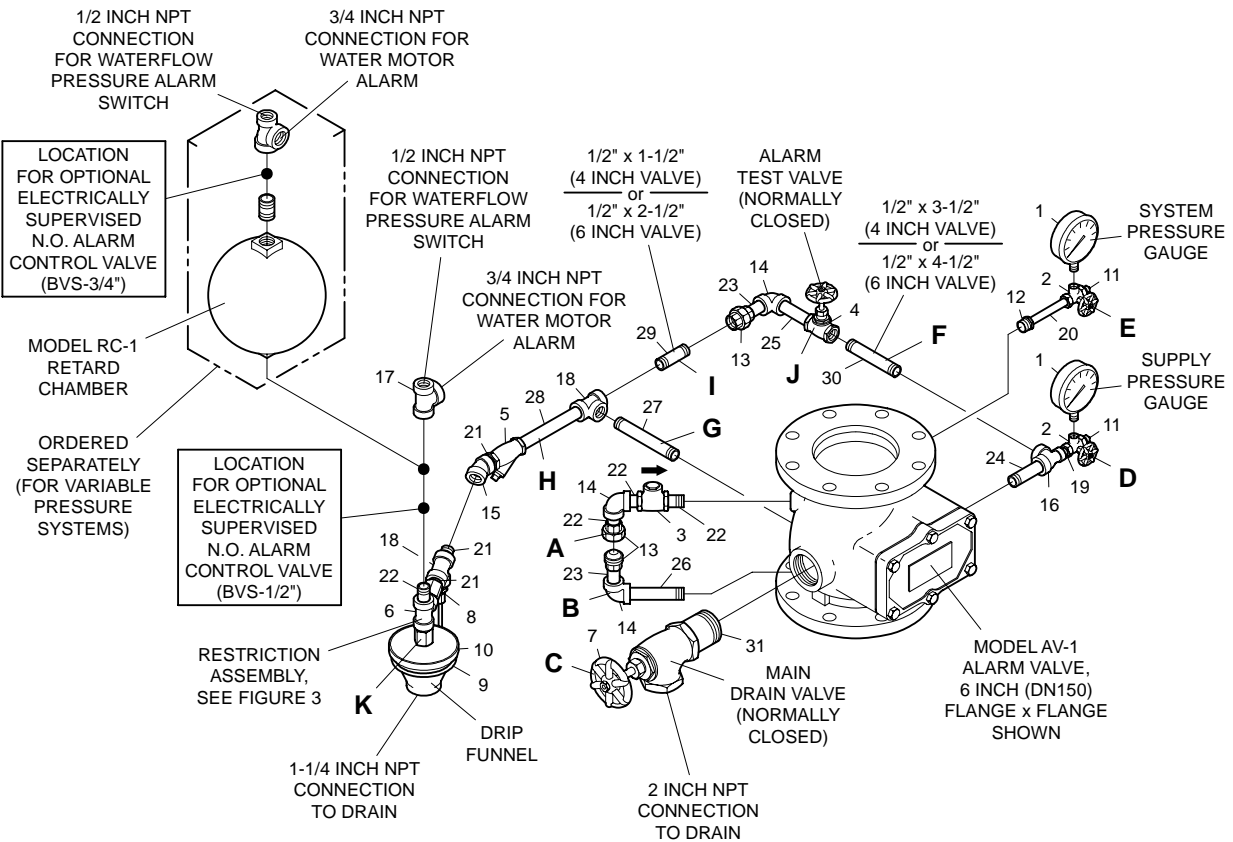
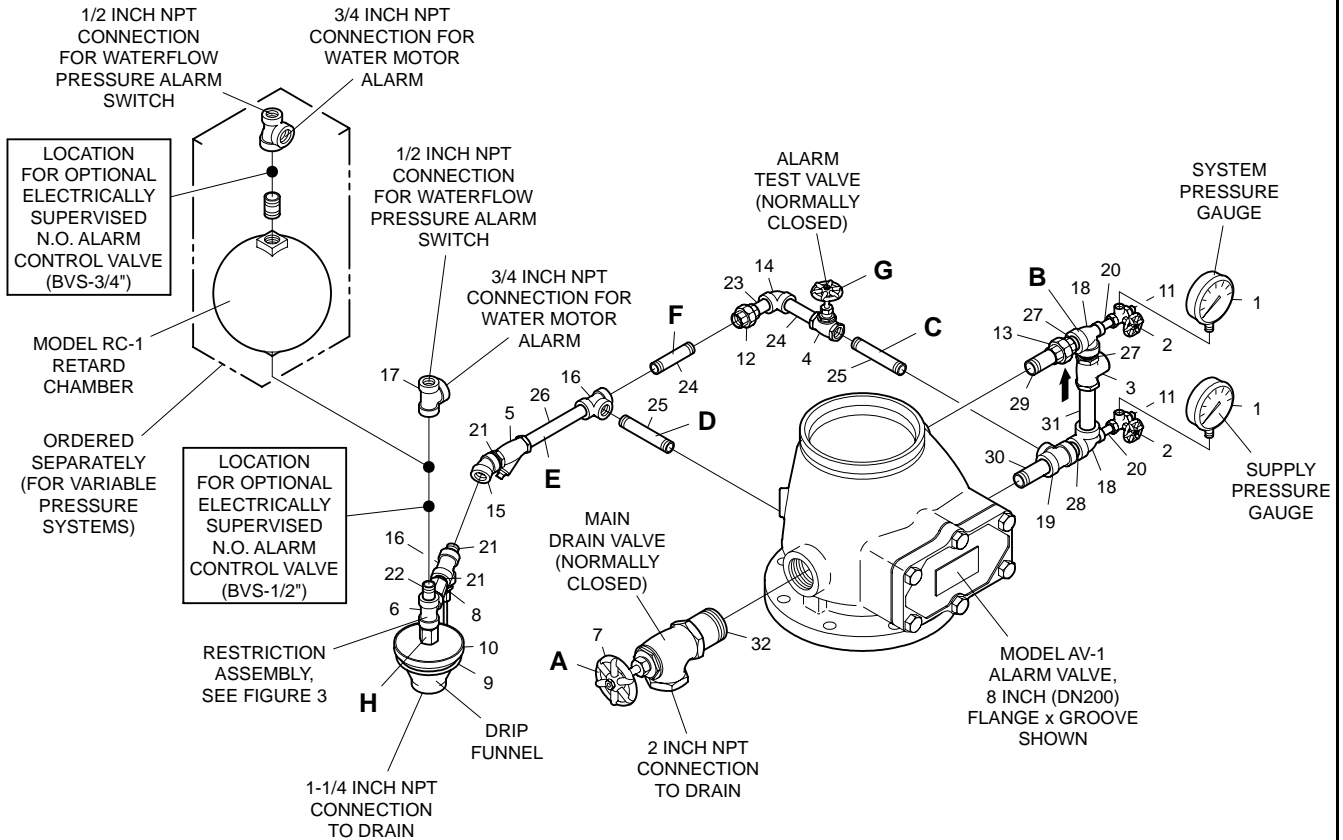


FIGURE 5 — PART 2 OF 3
VERTICAL OPEN DRAIN TRIM — SPECIAL ORDER — SEMI-PREASSEMBLED
— FOR 4 & 6 INCH (DN100 & DN150) MODEL AV-1-300 ALARM CHECK VALVES (52-204-2-954) —

NO.	DESCRIPTION	QTY.	P/N
1	300 psi/ 2000 kPa Water Pressure Gauge	2	92-343-1-005
2	1/4" Gauge Test Valve	2	46-005-1-002
3	3/4" Swing Check Valve	1	46-049-1-005
4	1/2" Globe Valve	1	46-047-1-004
5	1/2" Y-Strainer	1	52-353-1-005
6	Restriction Assembly	1	92-210-2-005
7	2" Angle Valve	1	46-048-1-009
8	Drip Funnel Connector	1	92-211-1-005
9	Drip Funnel Bracket	1	92-211-1-003
10	Drip Funnel	1	92-343-1-007
11	1/4" Plug	2	CH
12	1/2" Union	1	CH
13	3/4" Union	1	CH
14	1/2" 90° Elbow	1	CH
15	1/2" 45° Elbow	1	CH
16	1/2" Tee	2	CH
17	1/2" x 1/2" x 3/4" Tee	1	CH
18	3/4" x 1/4" x 3/4" Tee	2	CH
19	3/4" x 3/4" x 1/2" Tee	1	CH

NO.	DESCRIPTION	QTY.	P/N
20	1/4" x 1-1/2" Nipple	2	CH
21	1/2" x Close Nipple	3	CH
22	1/2" x 1-1/2" Nipple	1	CH
23	1/2" x 2" Nipple	1	CH
24	1/2" x 3-1/2" Nipple	2	CH
25	1/2" x 4-1/2" Nipple	2	CH
26	1/2" x 6-1/2" Nipple	1	CH
27	3/4" x Close Nipple	2	CH
28	3/4" x 1-1/2" Nipple	1	CH
29	3/4" x 2-1/2" Nipple	1	CH
30	3/4" x 3" Nipple	1	CH
31	3/4" x 4-1/2" Nipple	1	CH
32	2" x 3" Nipple	1	CH

- NOTES:
1. Install subassemblies in alphabetical order.
 2. All Fittings and Nipples are galvanized (Standard Order).
 3. CH: Common Hardware.



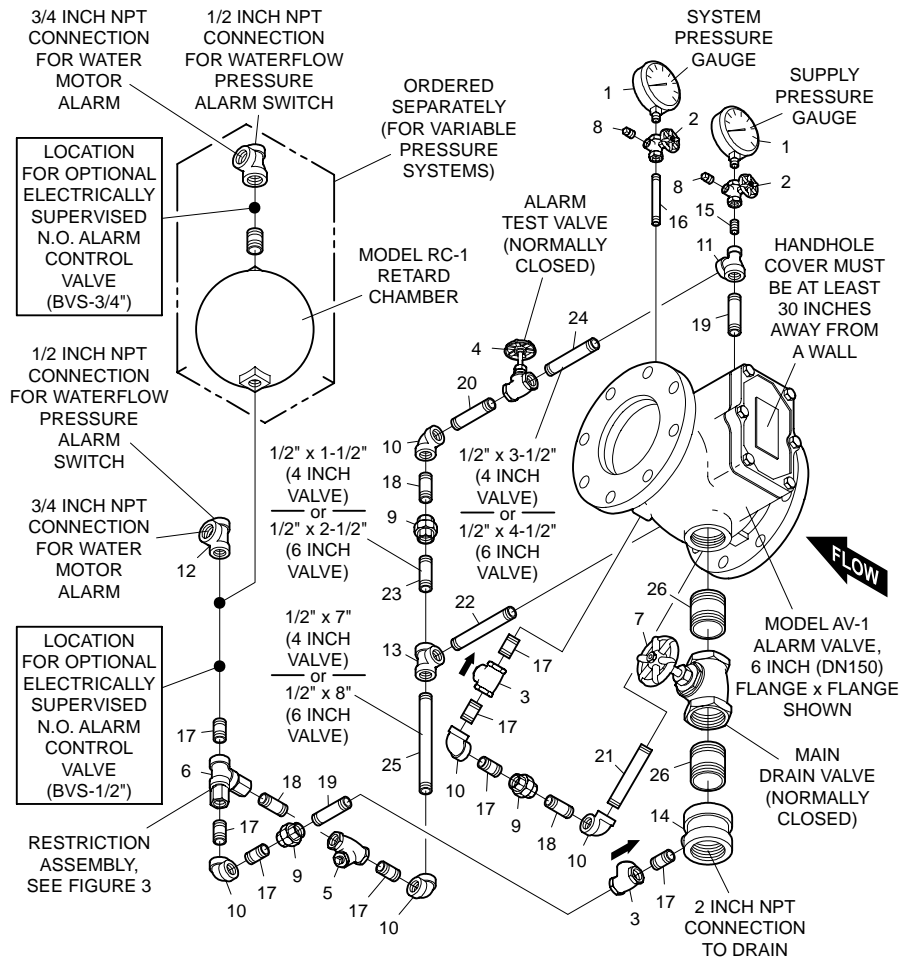
**FIGURE 5 — PART 3 OF 3
 VERTICAL OPEN DRAIN TRIM — SPECIAL ORDER — SEMI-PREASSEMBLED
 — FOR 8 INCH (DN200) MODEL AV-1-300 ALARM CHECK VALVES (52-204-2-955) —**

NO.	DESCRIPTION	QTY.	P/N
1	300 psi/ 2000 kPa Water Pressure Gauge	2	92-343-1-005
2	1/4" Gauge Test Valve	2	46-005-1-002
3	1/2" Swing Check Valve	2	46-049-1-004
4	1/2" Globe Valve	1	46-047-1-004
5	1/2" Y-Strainer	1	52-353-1-005
6	Restriction Assembly	1	92-210-2-005
7	2" Globe Valve	1	46-047-1-009
8	1/4" Plug	2	CH
9	1/2" Union	3	CH
10	1/2" 90° Elbow	5	CH
11	1/2" x 1/4" x 1/2" Tee	1	CH
12	1/2" x 1/2" x 3/4" Tee	1	CH
13	1/2" Tee	1	CH
14	2" x 2" x 1/2" Tee	1	CH
15	1/4" x Close Nipple	1	CH
16	1/4" x 4" Nipple	1	CH
17	1/2" x 1-1/2" Nipple	8	CH
18	1/2" x 2" Nipple	3	CH
19	1/2" x 3" Nipple	2	CH
20	1/2" x 3-1/2" Nipple	1	CH

NO.	DESCRIPTION	QTY.	P/N
21	1/2" x 5" Nipple	1	CH
22	1/2" x 5-1/2" Nipple	1	CH
23	Select Nipple per Table	2	CH
24	Select Nipple per Table	2	CH
25	Select Nipple per Table	2	CH
26	2" x 2-1/2" Nipple	2	CH

Nipple Number	Select Appropriate Nipple Sizes per AV-1 Alarm Check Valve Size	
	4 Inch (DN100)	6 Inch (DN150)
23	1/2" x 1-1/2"	1/2" x 2-1/2"
24	1/2" x 3-1/2"	1/2" x 4-1/2"
25	1/2" x 7"	1/2" x 8"

- NOTES:
- All Fittings and Nipples are galvanized (Standard Order).
 - CH: Common Hardware.

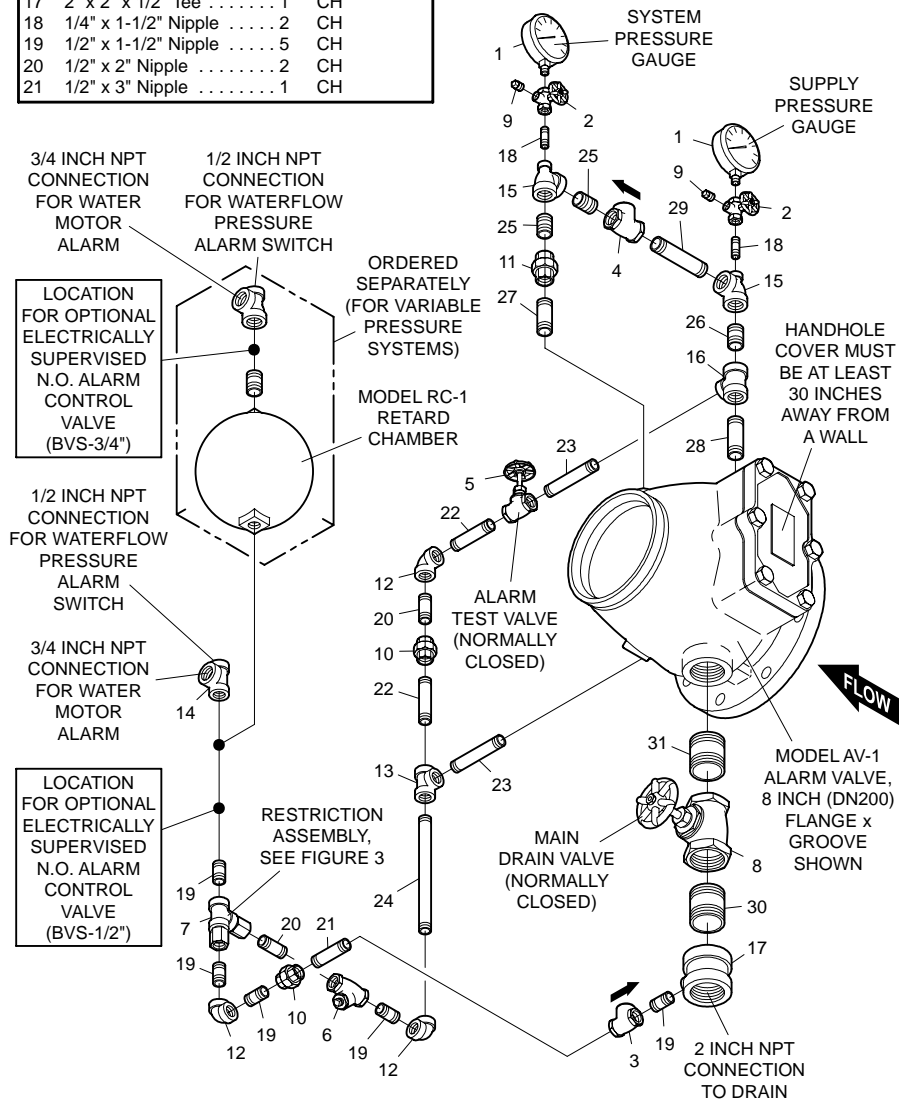


**FIGURE 6 — PART 1 OF 2
 — HORIZONTAL CLOSED DRAIN TRIM — SPECIAL ORDER
 — FOR 4 & 6 INCH (DN100 & DN150) MODEL AV-1-300 ALARM CHECK VALVES (52-204-2-057) —**

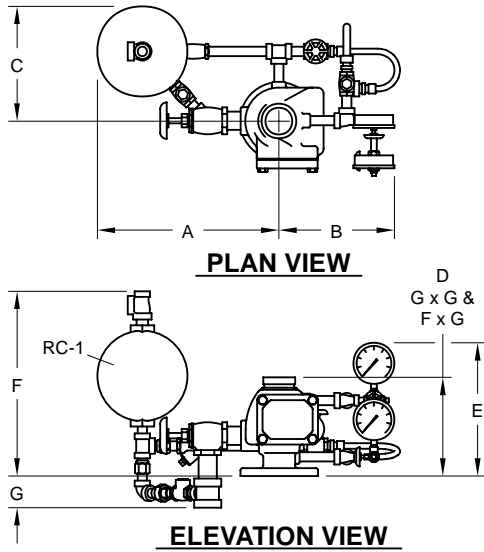
NO.	DESCRIPTION	QTY.	P/N
1	300 psi/ 2000 kPa Water Pressure Gauge	2	92-343-1-005
2	1/4" Gauge Test Valve	2	46-005-1-002
3	1/2" Swing Check Valve	1	46-049-1-004
4	3/4" Swing Check Valve	1	46-049-1-005
5	1/2" Globe Valve	1	46-047-1-004
6	1/2" Y-Strainer	1	52-353-1-005
7	Restriction Assembly	1	92-210-2-005
8	2" Globe Valve	1	46-047-1-009
9	1/4" Plug	2	CH
10	1/2" Union	2	CH
11	3/4" Union	1	CH
12	1/2" 90° Elbow	3	CH
13	1/2" Tee	1	CH
14	1/2" x 1/2" x 3/4" Tee	1	CH
15	3/4" x 1/4" x 3/4" Tee	2	CH
16	3/4" x 3/4" x 1/2" Tee	1	CH
17	2" x 2" x 1/2" Tee	1	CH
18	1/4" x 1-1/2" Nipple	2	CH
19	1/2" x 1-1/2" Nipple	5	CH
20	1/2" x 2" Nipple	2	CH
21	1/2" x 3" Nipple	1	CH

NO.	DESCRIPTION	QTY.	P/N
22	1/2" x 3-1/2" Nipple	2	CH
23	1/2" x 4-1/2" Nipple	2	CH
24	1/2" x 9-1/2" Nipple	1	CH
25	3/4" x Close Nipple	2	CH
26	3/4" x 1-1/2" Nipple	1	CH
27	3/4" x 2-1/2" Nipple	1	CH
28	3/4" x 3" Nipple	1	CH
29	3/4" x 4-1/2" Nipple	1	CH
30	2" x 2-1/2" Nipple	1	CH
31	2" x 3" Nipple	1	CH

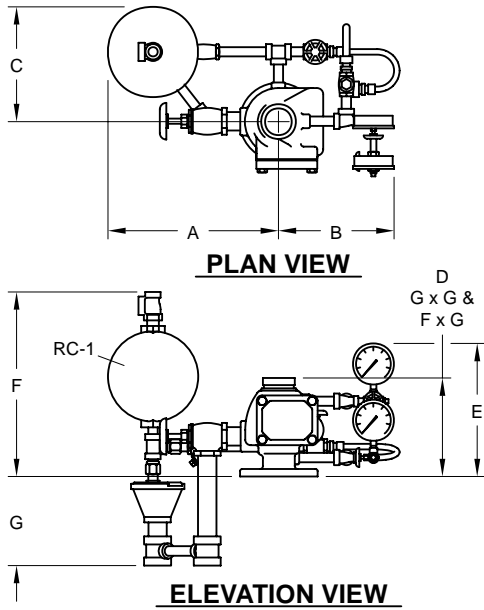
- NOTES:
1. All Fittings and Nipples are galvanized (Standard Order).
 2. CH: Common Hardware.



**FIGURE 6 — PART 2 OF 2
 — HORIZONTAL CLOSED DRAIN TRIM — SPECIAL ORDER
 — FOR 8 INCH (DN200) MODEL AV-1-300 ALARM CHECK VALVES (52-204-2-058) —**

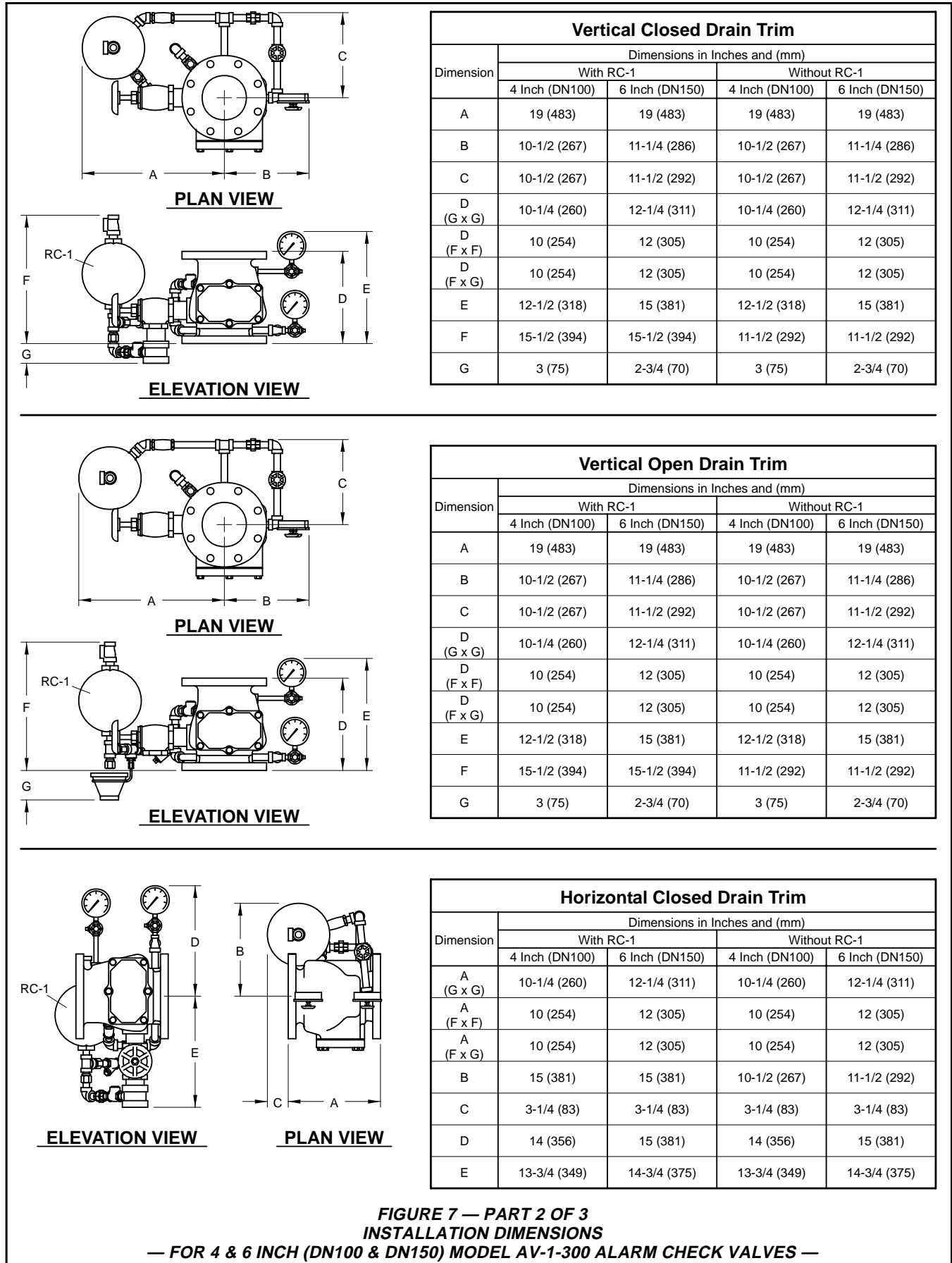


Vertical Closed Drain Trim		
Dimension	Dimensions in Inches and (mm)	
	With RC-1	Without RC-1
A	16-1/2 (419)	13-1/2 (343)
B	10-1/2 (267)	10-1/2 (267)
C	10-1/2 (267)	10 (254)
D	8-7/8 (225)	8-7/8 (225)
E	12-1/4 (311)	12-1/4 (311)
F	16-1/2 (419)	N/A
G	3 (75)	3 (75)

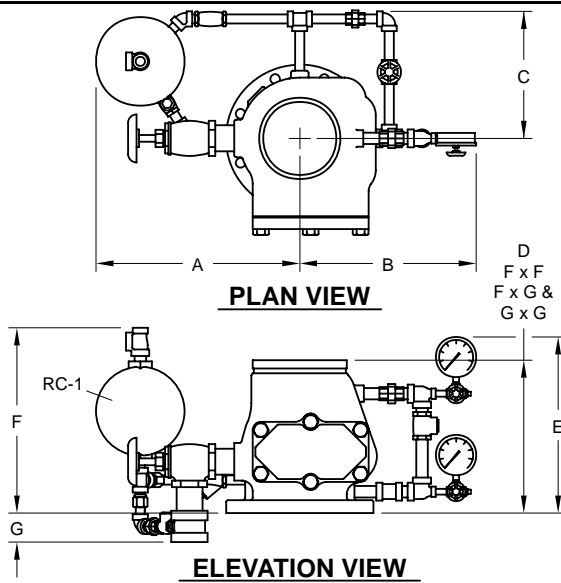


Vertical Open Drain Trim		
Dimension	Dimensions in Inches and (mm)	
	With RC-1	Without RC-1
A	15-1/2 (394)	13-1/2 (343)
B	10-1/2 (267)	10-1/2 (267)
C	10-1/2 (267)	10 (254)
D	8-7/8 (225)	8-7/8 (225)
E	12-1/4 (311)	12-1/4 (311)
F	16-1/2 (419)	N/A
G	3 (75)	3 (75)

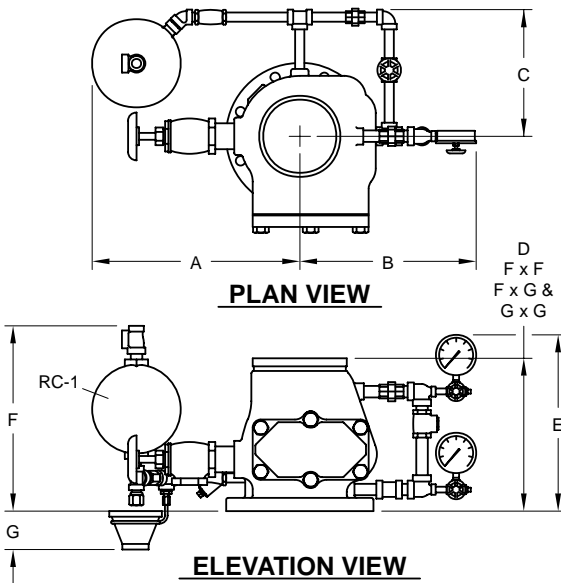
**FIGURE 7 — PART 1 OF 3
INSTALLATION DIMENSIONS
— FOR 2-1/2 INCH (DN65) MODEL AV-1-300 ALARM CHECK VALVES —**



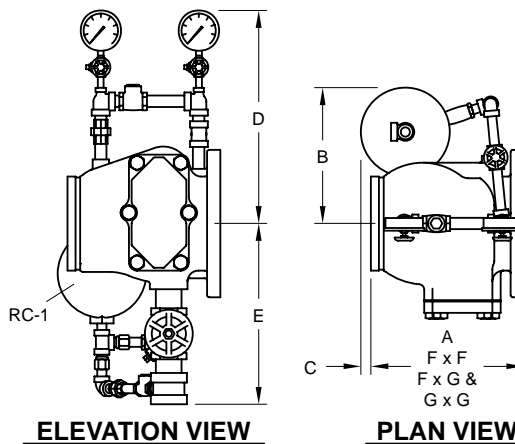
**FIGURE 7 — PART 2 OF 3
INSTALLATION DIMENSIONS
— FOR 4 & 6 INCH (DN100 & DN150) MODEL AV-1-300 ALARM CHECK VALVES —**



Vertical Closed Drain Trim		
Dimension	Dimensions in Inches and (mm)	
	With RC-1	Without RC-1
A	18-1/2 (470)	15-3/4 (400)
B	16-1/8 (410)	16-1/8 (410)
C	12 (305)	12 (305)
D	14 (356)	14 (356)
E	16-1/2 (419)	16-1/2 (419)
F	15-1/2 (394)	N/A
G	2-1/2 (64)	2-1/2 (64)

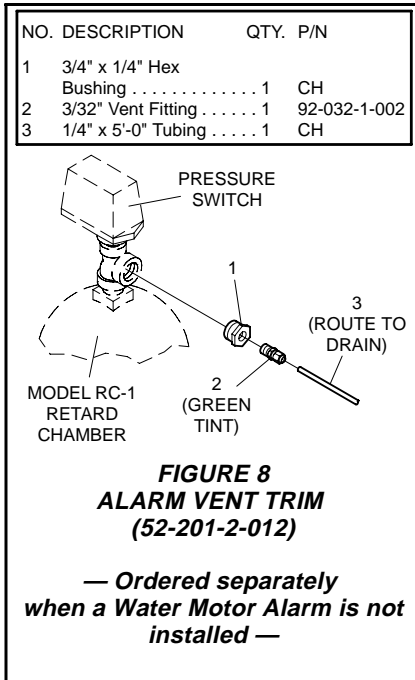


Vertical Open Drain Trim		
Dimension	Dimensions in Inches and (mm)	
	With RC-1	Without RC-1
A	18-1/2 (470)	15-3/4 (400)
B	16-1/8 (410)	16-1/8 (410)
C	12 (305)	12 (305)
D	14 (356)	14 (356)
E	16-1/2 (419)	16-1/2 (419)
F	15-1/2 (394)	N/A
G	3-1/2 (89)	3-1/2 (89)



Horizontal Closed Drain Trim		
Dimension	Dimensions in Inches and (mm)	
	With RC-1	Without RC-1
A	14 (356)	14 (356)
B	15 (381)	12 (305)
C	1-1/2 (38)	N/A
D	19-1/2 (495)	19-1/2 (495)
E	16-1/2 (419)	16-1/2 (419)

**FIGURE 7 — PART 3 OF 3
INSTALLATION DIMENSIONS
— FOR 8 INCH (DN200) MODEL AV-1-300 ALARM CHECK VALVES —**



Setting Procedure

Steps 1 through 11 are to be performed when initially setting the Model AV-1-300 Alarm Check Valve or after system operation due to a fire.

Step 1. Open the 1/4 inch Gauge Test Valves for the Supply and System Pressure Gauges.

Step 2. Check to see that the Hand-hole Cover bolts are tight. If not, cross-tighten them.

Step 3. Close the Alarm Test Valve.

Step 4. Open the remote cross main or branch line vent connection (Ref. Step 7 in the Installation section).

Step 5. Slowly open the main control valve until the sound of flowing water just begins and then open the valve one more turn.

NOTE

Filling the system with water will result in operation of the associated alarms. Consequently, notification must first be given to the owner and fire department, central station, or other signal station to which the alarms are connected.

Step 6. Close the remote branch line vent connection after the discharge of aerated water ceases, and the outlet has flowed full for at least 15 seconds.

Step 7. Fully open the main control valve.

Step 8. Open the end-of-line Inspector's Test Connection (or Alarm Test Valve, if acceptable to the authority having jurisdiction) and verify that the system alarms operate.

NOTE

Notify the proper authorities and all personnel who may be affected that an alarm test is to be performed.

Step 9. Close the end-of-line Inspector's Test Connection (or Alarm Test Valve).

Step 10. Verify that water ceases to flow from the alarm line drain. If water continues to flow, follow the corrective procedure described in the Maintenance and Service section.

NOTE

The Restriction Assembly has a 1/8 inch (3,2 mm) diameter drain orifice. Sufficient time must be allowed for drainage of the Retard Chamber and the piping to the water motor alarm.

Step 11. Once it has been verified that the flow of water out of the alarm line drain has stopped, the alarm valve is set and is ready for service.

NOTE

After placing a fire protection system in service, notify the proper authorities and advise those responsible for monitoring proprietary and/or central station alarms.

Care and Maintenance

The following procedures and inspections should be performed as indicated, in addition to any specific requirements of the NFPA. Any impairment must be immediately corrected.

The owner is responsible for the inspection, testing, and maintenance of their fire protection system and devices in compliance with this document, as well as with the applicable standards of the National Fire Protection Association (e.g., NFPA 25), in addition to the standards of any authority having jurisdiction. The installing contractor or product manufacturer should be contacted relative to any questions.

It is recommended that automatic sprinkler systems be inspected, tested, and maintained by a qualified Inspection Service.

The Model AV-1-300 Alarm Check

Valves do not require any regularly scheduled maintenance. It is recommended, however, that proper operation of the alarms be periodically verified in accordance with a procedure that is acceptable to the authority having jurisdiction. Any impairment must be immediately corrected.

NOTE

Performing the care and maintenance procedures will result in operation of the associated alarms. Consequently, notification must first be given to the owner and fire department, central station, or other signal station to which the alarms are connected.

Before closing a fire protection system main control valve for maintenance work on the fire protection systems that it controls, permission to shut down the affected fire protection systems must first be obtained from the proper authorities, and all personnel who may be affected by this decision must be notified.

Inspection Procedure

It is recommended that the following inspection procedure be performed at least quarterly by a qualified Inspection Service:

Step 1. Notify the proper authorities and all personnel who may be affected that an alarm test is to be performed.

Step 2. Open the end-of-line Inspector's Test Connection (or Alarm Test Valve, if acceptable to the authority having jurisdiction) and verify that the system alarms operate in accordance with the requirements of the authority having jurisdiction. Verify that the water motor alarm and/or the pressure alarm switch properly actuate and within the elapsed time required by the authority having jurisdiction.

Step 3. Verify that water is flowing out of the alarm line drain at a rate consistent with the 1/8 inch (3,2 mm) diameter drain orifice in the Restriction Assembly.

Step 4. Close the end-of-line Inspector's Test Connection (or Alarm Test Valve).

Step 5. Verify that water ceases to flow from the alarm line drain.

Step 6. Clean the 1/2 inch Strainer (located in the valve trim) as well as the 3/4 inch Strainer (located at the connection to the water motor alarm, as applicable). Be sure to replace the strainer baskets and tighten the caps securely.

NOTE

Cleaning of the Strainers after each operation of the alarms is especially

important in the case of water supplies (such as lakes and rivers) having a large quantity of suspended matter. A clogged alarm line can prevent operation of the alarms.

Step 7. Notify all authorities responsible for monitoring the installation that the fire protection system has been returned to service.

Sprinkler System Drain-Down

Draining the sprinkler system must be done in accordance with the following procedure:

Step 1. Close the main control valve, if this has not already been done.

Step 2. Open the remote cross main or branch line vent connection (Ref. Step 7 in the Installation section).

Step 3. Open the Main Drain Valve. Check first to see that the drainage water discharge will not cause damage or result in dangerous conditions.

Step 4. Wait until the Supply Pressure Gauge reads zero pressure and the sound of draining water has stopped before performing any maintenance work on the fire protection system.

Leakage from Alarm Line Drain

Follow the steps indicated below until water ceases to flow from the alarm line drain. Check for the discontinuation of the leakage after each step is complete.

Step 1. Open the Main Drain Valve. Let the water flow for about 5 seconds and then close the Main Drain Valve. This should flush any loose debris that may have become trapped between the Clapper Facing and the Seat Ring or in the seating area of the Drain Valve.

Step 2. Repeat Step No. 1 if the rate of continued flow out of the drain was noticeably reduced.

Step 3. Open the Alarm Test Valve and allow water to flow for about 5 seconds before re-closing the valve. This should flush any loose debris that may have become trapped in the seating area of the Alarm Test Valve.

Step 4. Repeat Step No. 3 if the rate of continued flow out of the drain was noticeably reduced.

Step 5. Determine whether the water is flowing from the Alarm Port (Figure 1) or past the Alarm Test Valve. If the leakage is past the Alarm Test Valve, close the main control valve, and then repair or replace the Alarm Test Valve as necessary.

Step 6. If it appears that the leakage

noted in Step No. 5 is from the Alarm Port, drain the system in accordance with the prescribed procedure. After the system has been drained, remove the Handhole Cover.

While holding the Spring down by the coils, remove the Hinge Pin. Remove the Spring and Clapper Assembly).

Step 7. Using a light, check for and remove any debris that may have become lodged within the Seat Ring groove. Inspect the Seat Ring seat for any damage. If the Seat Ring has become dented across the seat then the Alarm Check Valve will have to be replaced. It is impractical to re-face a Seat Ring in the field.

Step 8. Check for and remove any debris that may have become lodged in the Clapper Facing. If a minor imperfection remains in the Clapper Facing, then turn it over after thoroughly cleaning both surfaces with a clean cloth. Replace the Clapper Facing if necessary. Be sure to securely re-tighten the retaining fastener for the Clapper Washer.

Step 9. Replace the Spring and Clapper Assembly as shown in Figure 1. While holding the coils of the Spring down, re-insert the Hinge Pin. Be sure that the Hinge Pin is pushed all the way to the rear of the valve.

Step 10. Replace the Handhole Cover. Return the Alarm Valve to operation in accordance with the steps described in the Setting Procedure section.

Clogged Alarm Line Drain

If water either does not flow or only dribbles out of the alarm line drain during an alarm test, then it is likely that the screen protecting the Restriction Assembly drain orifice (Ref. Figure 3) has become clogged.

NOTE

A clogged alarm line drain will increase the likelihood of a false alarm in the case of a variable pressure system.

First break the union downstream of the Drain Restriction and remove the Drain Restriction for cleaning by back-flushing the screen. Re-install the Drain Restriction and re-assemble the drain line.

Loss of Excess System Pressure

In the case of a variable pressure system, the System Pressure Gauge should normally indicate a pressure greater than that shown by the Supply Pressure Gauge. Also, the value should be close to that of the peak supply pressure that has occurred after the system was placed in service.

NOTE

Loss of excess system pressure will increase the likelihood of a false alarm in the case of a variable pressure system.

Follow the procedure indicated below to correct a loss of excess system pressure condition.

Step 1. Check for signs of continued leakage from the alarm line drain. If rust stains and/or water deposits indicate that continued leakage has been taking place, take corrective action according to the procedure described in the sub-section entitled "Leakage From Alarm Line Drain".

Step 2. If there are no signs of continued leakage from the alarm line drain, close the main control valve, slowly remove the plug from the supply pressure gauge test valve to relieve the supply pressure, and then slowly open the union in the externally mounted bypass.

Check for leakage past the Bypass Check Valve. If there is leakage, debris may have become lodged between its clapper and seat. Drain the system in accordance with the prescribed procedure and then clean or replace the Bypass Check Valve as required.

Re-assemble the externally mounted bypass, replace the plug into the Gauge Test Valve, and return the fire protection system to operation in accordance with the steps described in the Operating Procedure section.

Step 3. If there are no signs of leakage past either the Alarm Check Valve Clapper per Step 1 or the Bypass Check Valve per Step 2, inspect the sprinkler system for leakage.

Excess Pressure Due To Thermal Expansion

Wet pipe sprinkler systems subject to ambient temperatures in excess of 100°F/38°C can experience significant increases in system pressure due to the thermal expansion of the water. In particular, a gridded wet-pipe system with a relatively small air pocket and no relief valve can be subjected to an increase of more than 100 psi (6,9 bar), due to an increase in ambient temperature of approximately 50°F/28°C.

As necessary, install a pressure relief valve, in accordance with the requirements of the authority having jurisdiction, to automatically relieve the excess pressure which could otherwise be created in wet-pipe systems that are exposed to significant increases in ambient temperature.

False Alarms

If repeated false alarms occur in a variable pressure system:

Step 1. Check for and correct the cause of continued leakage out the alarm line drain.

Step 2. Check for and clean a clogged alarm line drain.

Step 3. Check for and correct the cause of a loss in excess system pressure.

Step 4. Drain the sprinkler system and re-fill it in accordance with the steps described in the Setting Procedure section.

Intermittent Alarms

If the pressure alarm switch gives a steady signal, but the water motor generates an intermittent alarm, check for binding in the water motor alarm drive shaft.

If the water motor alarm and/or the pressure alarm switch provide an intermittent alarm, it is likely the consequence of an excessive amount of air being trapped within the sprinkler system. Drain down the sprinkler system and re-fill it in accordance with the steps described in the Setting Procedure section.

A discontinuance of an alarm may also be caused by the Clapper closing due to a sudden drop in supply pressure or the shut-off of a pump in the supply line. These types of problems can only be corrected by maintaining a steady supply pressure.

Limited Warranty

Products manufactured by Tyco Fire & Building Products (TFBP) are warranted solely to the original Buyer for ten (10) years against defects in material and workmanship when paid for and properly installed and maintained under normal use and service. This warranty will expire ten (10) years from date of shipment by TFBP. No warranty is given for products or components manufactured by companies not affiliated by ownership with TFBP or for products and components which have been subject to misuse, improper installation, corrosion, or which have not been installed, maintained, modified or repaired in accordance with applicable Standards of the National Fire Protection Association, and/or the standards of any other Authorities Having Jurisdiction. Materials found by TFBP to be defective shall be either repaired or replaced, at TFBP's sole option. TFBP neither assumes, nor authorizes any person to assume for it, any other obligation in connection with the sale of products or parts of products. TFBP shall not be responsible for sprinkler system design errors or inaccurate or incomplete information supplied by Buyer or Buyer's representatives.

In no event shall TFBP be liable, in contract, tort, strict liability or under any other legal theory, for incidental, indirect, special or consequential damages, including but not limited to labor charges, regardless of whether TFBP was informed about the possibility of such damages, and in no event shall TFBP's liability exceed an amount equal to the sales price.

The foregoing warranty is made in lieu of any and all other warranties, express or implied, including warranties of merchantability and fitness for a particular purpose.

This limited warranty sets forth the exclusive remedy for claims based on failure of or defect in products, materials or components, whether the claim is made in contract, tort, strict liability or any other legal theory.

This warranty will apply to the full extent permitted by law. The invalidity, in whole or part, of any portion of this warranty will not affect the remainder.

Ordering Procedure

NOTES

Refer to Table A (Page 3) for Flange Drilling Specifications.

Part Numbers for factory pre-trimmed Model AV-1-300 Valves are provided in the Price Book.

Standard AV-1-300 Alarm Check Valve (American Standard Flange Drilling, American Threaded Ports, and American Groove Outside Diameter, as applicable):

Specify: (specify size inch) Model AV-1-300 Alarm Check Valve with (specify end connections), P/N (specify).

2-1/2 Inch G x G 2.88 inch (73,0 mm) Groove O.D. x 2.88 inch (73,0 mm) Groove O.D.	P/N 52-203-1-110
2-1/2 Inch F x G ANSI Flange x 2.88 inch (73,0 mm) Groove O.D.	P/N 52-203-1-210
4 Inch G x G 4.50 inch (114,3 mm) Groove O.D. x 4.50 inch (114,3 mm) Groove O.D.	P/N 52-203-1-113
4 Inch F x G ANSI Flange x 4.50 inch (114,3 mm) Groove O.D.	P/N 52-203-1-413
4 Inch F x F ANSI Flange x ANSI Flange	P/N 52-203-1-013
6 Inch G x G 6.62 inch (168,3 mm) Groove O.D. x 6.62 inch (168,3 mm) Groove O.D.	P/N 52-203-1-115
6 Inch F x G ANSI Flange x 6.62 inch (168,3 mm) Groove O.D.	P/N 52-203-1-615
6 Inch F x F ANSI Flange x ANSI Flange	P/N 52-203-1-015
8 Inch G x G 8.62 inch (219,1 mm) Groove O.D x 8.62 inch (219,1 mm) Groove O.D.	P/N 52-203-1-916
8 Inch F x G ANSI Flange x 8.62 inch (219,1 mm) Groove O.D.	P/N 52-203-1-816
8 Inch F x F ANSI Flange x ANSI Flange	P/N 52-203-1-016

Standard Order AV-1-300 Valve Trim:

Specify: Vertical, Closed Drain Galvanized Trim for (specify size) Model AV-1-300 Alarm Check Valve, P/N (specify).

Vertical Closed Drain, Galvanized (See Figure 3)	
2-1/2 inch	P/N 52-204-2-050
4 or 6 inch*	P/N 52-204-2-951
8 inch*	P/N 52-204-2-952
*Provided semi-preassembled.	

Special Order AV-1-300 Valve Trim:

Specify: (Vertical or Horizontal), (Closed or Open) Drain Galvanized Trim for (specify size) Model AV-1-300 Alarm Check Valve, P/N (specify).

Vertical Open Drain, Galvanized (See Figure 4)	
2-1/2 inch	P/N 52-204-2-053
4 or 6 inch*	P/N 52-204-2-954
8 inch*	P/N 52-204-2-955
*Provided semi-preassembled.	

Horizontal Closed Drain, Galvanized (See Figure 5)	
4 or 6 inch	P/N 52-204-2-057
8 inch	P/N 52-204-2-058

Accessories:

Order the following accessories, as applicable:

Model RC-1 Retard Chamber (required for variable pressure water supply conditions)	P/N 52-211-2-002
Alarm Vent Trim (required when a water motor alarm is not installed)	P/N 52-201-2-012
Model PS10-2A Potter Electric Waterflow Pressure Alarm Switch (required for electric signal indicating waterflow)	P/N 54-281-1-002
Model WMA-1 Water Motor Alarm (required for a mechanical waterflow alarm)	P/N 52-630-1-001

Replacement Valve Parts:

Specify: (description) for use with (specify) size Model AV-1-300 Alarm Check Valve, P/N (see Figure 1).

Replacement Trim Parts :

Specify: (description) for use with Model AV-1-300 Alarm Check Valve, P/N (see Figure 3, 4, or 5).

Other AV-1-300 Alarm Check Valves:

NOTES

Other AV-1-300 Alarm Check Valves are valves ordered with any combination of flange, threaded port, or groove outside diameter not offered under "Standard AV-1-300 Alarm Check Valve" offerings.

Valves with NPT threaded ports are intended for use with the AV-1-300 Valve Trim described in this data sheet. Valves with ISO threaded ports are intended for use with special order trim that is provided by local distributors to meet the specific needs of certain localities. Please contact your local distributor regarding valves and valve trim for specific localities.

Specify: (specify size) Model AV-1-300 Alarm Check Valve with (specify) connections with (specify NPT or ISO) threaded ports, P/N (See Page 21).

**Part Numbers For Other
Model AV-1-300 Alarm Valves:****Other 2-1/2 Inch Valves with NPT****Ports**

ISO (PN16) Flange x 2.88 inch (73,0 mm) Groove O.D.	P/N 52-203-1-251
ANSI Flange x 3.00 inch (76,1 mm) Groove O.D.	P/N 52-203-1-220
ISO (PN16) Flange x 3.00 inch (76,1 mm) Groove O.D.	P/N 52-203-1-331
AS Flange x 2.88 inch (73,0 mm) Groove O.D.	P/N 52-203-1-611
AS Flange x 3.00 inch (76,1 mm) Groove O.D.	P/N 52-203-4-410
JIS Flange x 2.88 inch (73,0 mm) Groove O.D.	P/N 52-203-1-710
JIS Flange x 3.00 inch (76,1 mm) Groove O.D.	P/N 52-203-1-810
3.00 inch (76,1 mm) Groove O.D x 3.00 inch (76,1 mm) Groove O.D.	P/N 52-203-1-120

Other 2-1/2 Inch Valves with ISO**Ports**

ISO (PN16) Flange x 2.88 inch (73,0 mm) Groove O.D.	P/N 52-203-1-211
ISO (PN16) Flange x 3.00 inch (76,1 mm) Groove O.D.	P/N 52-203-1-311
3.00 inch (76,1 mm) Groove O.D x 3.00 inch (76,1 mm) Groove O.D.	P/N 52-203-4-120
2.88 inch (73,0 mm) Groove O.D x 2.88 inch (73,0 mm) Groove O.D.	P/N 52-203-1-921

**Part Numbers For Other
Model AV-1-300 Alarm Valves:****Other 4 Inch Valves with NPT Ports**

ISO (PN16) Flange x 4.50 inch (114,3 mm) Groove O.D.	P/N 52-203-1-493
ISO (PN16) Flange x ISO (PN16) Flange	P/N 52-203-4-013
AS Flange x AS Flange	P/N 52-203-4-313
AS Flange x 4.50 inch (114,3 mm) Groove O.D.	P/N 52-203-4-413
JIS Flange x JIS Flange	P/N 52-203-4-713
JIS Flange x 4.50 inch (114,3 mm) Groove O.D.	P/N 52-203-4-813

Other 4 Inch Valves with ISO Ports

ISO (PN16) Flange x ISO Flange	P/N 52-203-4-113
ISO (PN16) Flange x 4.50 inch (114,3 mm) Groove O.D.	P/N 52-203-4-213
4.50 inch (114,3 mm) Groove O.D x 4.50 inch (114,3 mm) Groove O.D.	P/N 52-203-1-923

**Part Numbers For Other
Model AV-1-300 Alarm Valves:****Other 6 Inch Valves with NPT Ports**

ANSI Flange x 6.50 inch (165,1 mm) Groove O.D.	P/N 52-203-1-625
ISO (PN16) Flange x 6.62 inch (168,3 mm) Groove O.D.	P/N 52-203-1-695
ISO (PN16) Flange x 6.50 inch (165,1 mm) Groove O.D.	P/N 52-203-5-215
ISO (PN16) Flange x ISO (PN16) Flange ...	P/N 52-203-4-015
AS Flange x AS Flange	P/N 52-203-4-315
AS Flange x 6.62 inch (168,3 mm) Groove O.D.	P/N 52-203-4-415
AS Flange x 6.50 inch (165,1 mm) Groove O.D.	P/N 52-203-4-425
JIS Flange x JIS Flange	P/N 52-203-4-715
JIS Flange x 6.62 inch (168,3 mm) Groove O.D.	P/N 52-203-4-815
JIS Flange x 6.50 inch (165,1 mm) Groove O.D.	P/N 52-203-5-815
6.50 inch (165,1 mm) Groove O.D x 6.50 inch (165,1 mm) Groove O.D.	P/N 52-203-1-124

Other 6 Inch Valves with ISO Ports

ISO (PN16) Flange x ISO (PN16) Flange ...	P/N 52-203-4-115
ISO (PN16) Flange x 6.62 inch (168,3 mm) Groove O.D.	P/N 52-203-4-215
ISO (PN16) Flange x 6.50 inch (165,1 mm) Groove O.D.	P/N 52-203-4-225
6.62 inch (168,3 mm) Groove O.D x 6.62 inch (168,3 mm) Groove O.D.	P/N 52-203-1-925
6.50 inch (165,1 mm) Groove O.D x 6.50 inch (165,1 mm) Groove O.D.	P/N 52-203-1-125

**Part Numbers For Other
Model AV-1-300 Alarm Valves:****Other 8 Inch Valves with NPT Ports**

ISO (PN10) Flange x 8.62 inch (219,1 mm) Groove O.D.	P/N 52-203-1-896
ISO (PN16) Flange x 8.62 inch (219,1 mm) Groove O.D.	P/N 52-203-4-266
ISO (PN10) Flange x ISO (PN10) Flange	P/N 52-203-4-016
ISO (PN16) Flange x ISO (PN16) Flange	P/N 52-203-4-118
AS Flange x AS Flange	P/N 52-203-4-316
AS Flange x 8.62 inch (219,1 mm) Groove O.D.	P/N 52-203-4-416
JIS Flange x JIS Flange	P/N 52-203-1-716
JS Flange x 8.62 inch (219,1 mm) Groove O.D.	P/N 52-203-4-816

Other 8 Inch Valves with ISO Ports

ISO (PN10) Flange x ISO (PN10) Flange	P/N 52-203-4-116
ISO (PN16) Flange x ISO (PN16) Flange	P/N 52-203-4-117
ISO (PN10) Flange x 8.62 inch (219,1 mm) Groove O.D.	P/N 52-203-4-216
ISO (PN16) Flange x 8.62 inch (219,1 mm) Groove O.D.	P/N 52-203-4-226
8.62 inch (219,1 mm) Groove O.D. x 8.62 inch (219,1 mm) Groove O.D.	P/N 52-203-1-926

